



# Steel Feed & Grain Storage & Processing Facilities

## Bin Wall Design



*Specialists in modular square bolted steel bins.  
Tom-Cin Metals is your best choice for quality bulk storage.*

There are three (3) Tom-Cin Metals pre-engineered bin walls to choose from. Each with different design characteristics to best fit the needs of the customer's product and storage requirements.

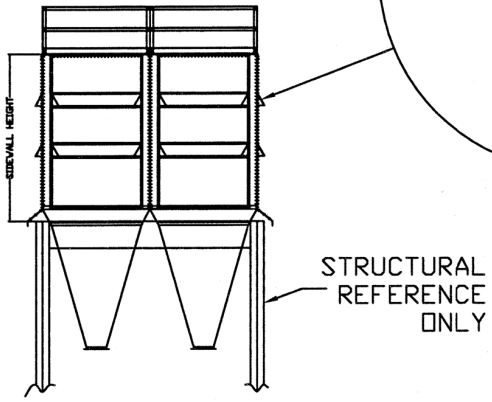
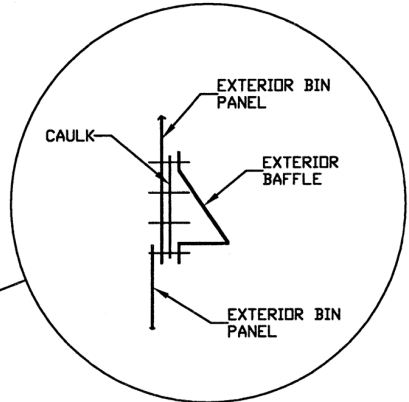
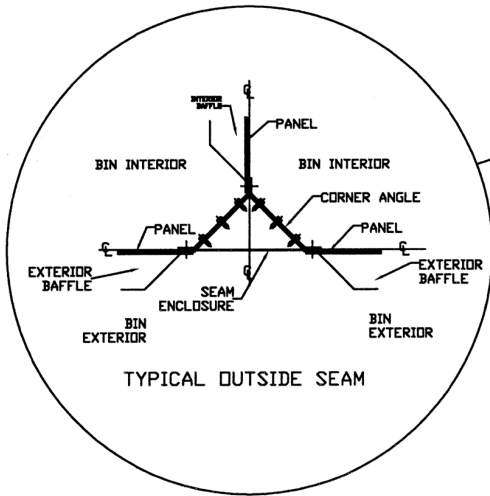
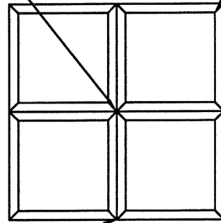
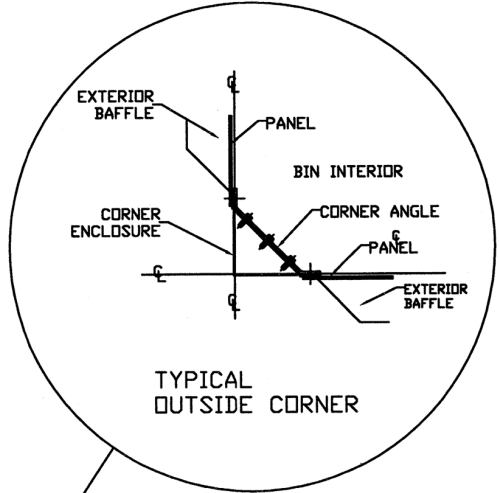
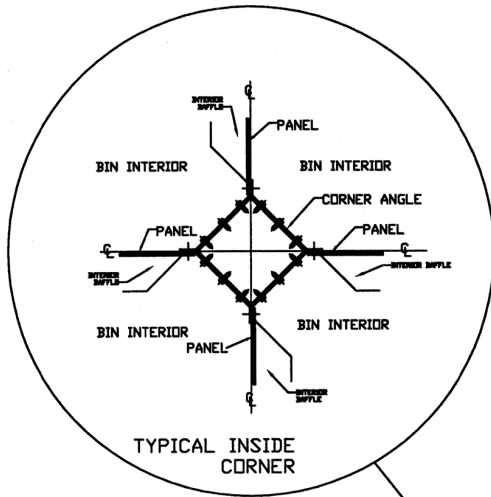
Tom-Cin Metals' bolt together storage bin in the single "**baffle**" stiffener style is the most common style used in feed milling applications. This wall is ideally suited for overhead storage of dry free flowing materials. This bin design is very flexible and can be configured in a variety of ways utilizing 2' to 12' wide panels for modular layouts of square or rectangular bin arrangements. This bin design features large 45 degree corners, chamfered hopper valleys and requires stiffeners only on one (1) side of each wall. Bins can be set-up for future expansion in mind for ease of adding additional bins to at a later date when more capacity or products is required.

Tom-Cin Metals' formed **corrugated wall style bins**, are more suited for seeds, whole grains or larger granular free flowing material. This bin utilizes pre-formed and welded wall panels from 4' to 12' wide and up to 30' tall in a single wall section. (Taller bin walls are available in multiple wall tiers.) This bin wall can also be configured in a variety of ways for square or rectangular bolted module arrangements and can be set-up for future expansion in mind.

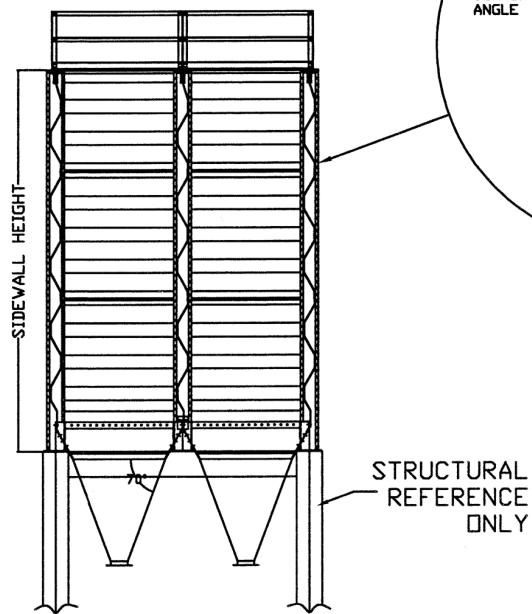
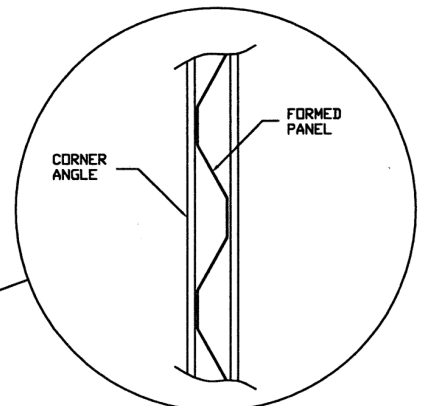
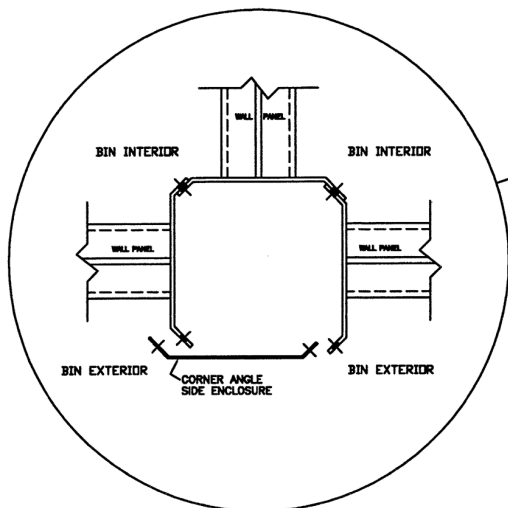
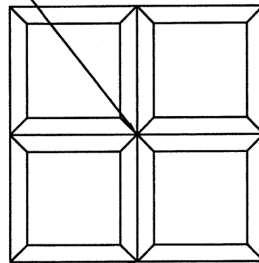
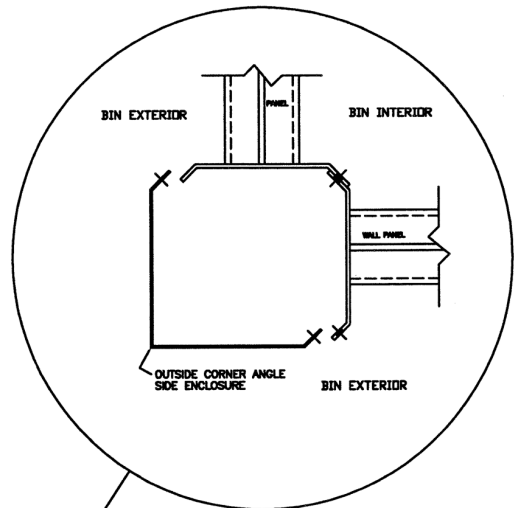
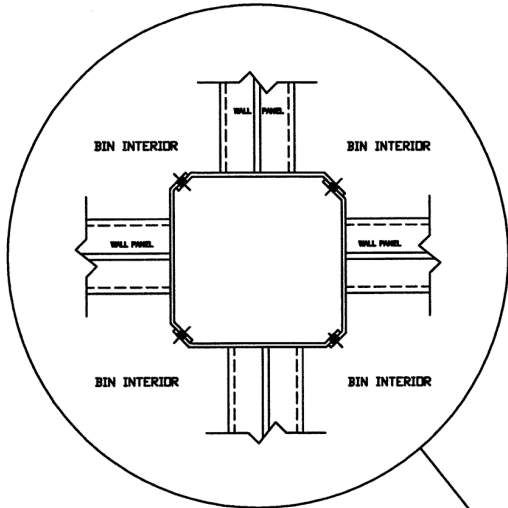
Tom-Cin Metals' **double wall style** is the newest wall design and was created for customers with dry, but difficult material. This bin utilizes pre-assembled double panel wall units with hidden structural stiffeners and fasteners. This bin design features stackable, overlapping wall units, narrow profile and a very clean bolted design. This bin can also be supplied in multiple panel widths and configurations. Future expansion capabilities come standard with this style bin wall. As an additional option/feature, bin wall panels can be internally insulated.

Along with the above pre-engineered wall designs, Tom-Cin Metals will also provide custom smaller single or multiple welded bins.

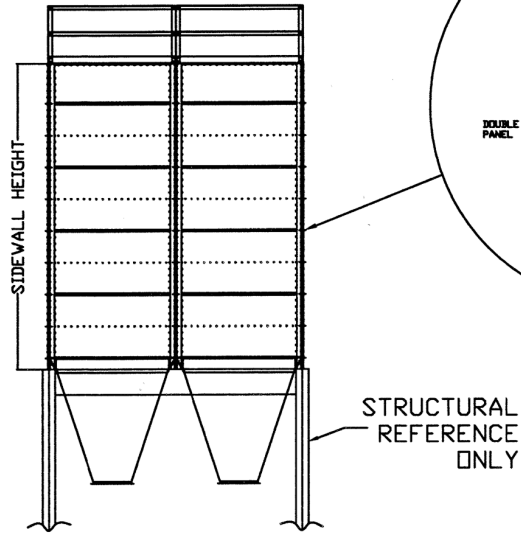
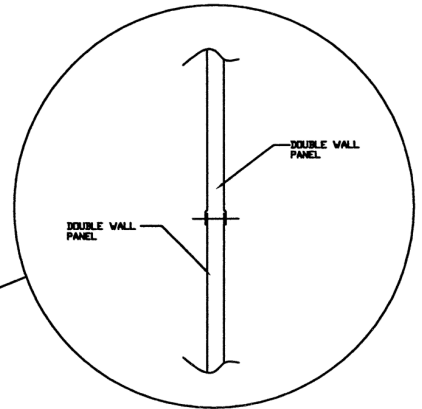
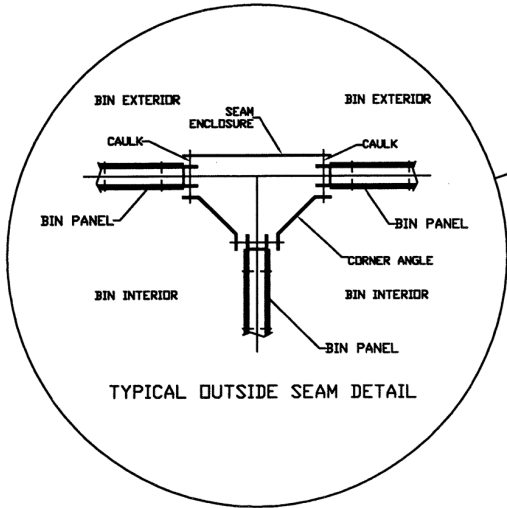
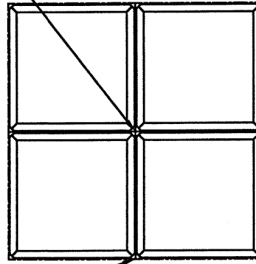
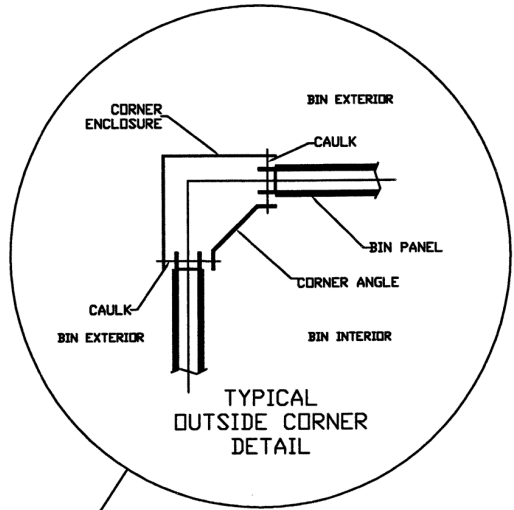
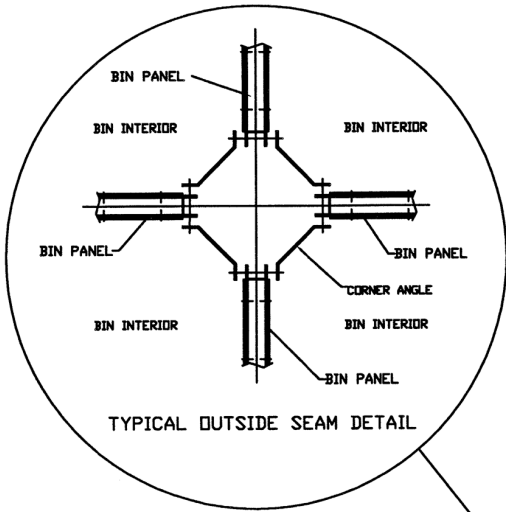
When dry material storage is required contact Tom-Cin Metals, Inc. to discuss options.



# Baffle Style Wall



# Corrugated Style Wall



# Double Panel Style Wall

# Capacity Reference Tables

	SECTION	WALL HEIGHT FEET & INCHES	CUBIC FEET	BUSHELs	TONS @ 40# CUBIC FOOT	WALL HEIGHT METERS	CUBIC METERS	METRIC TONS
<b>6' SQUARE BINS</b>	1 SEC.	4'-11"	177	142	3.5	1.50	5.0	3.2
	2 SEC.	8'-8"	312	251	6.2	2.64	8.8	5.6
	3 SEC.	12'-5"	447	359	8.9	3.78	12.7	8.1
	4 SEC.	16'-2"	582	468	11.6	4.93	16.5	10.5
	5 SEC.	19'-11"	717	576	14.3	6.07	21.3	13.0
	6 SEC.	23'-8"	852	685	17.0	7.21	24.1	15.4
	7 SEC.	27'-5"	987	793	19.7	8.36	27.9	17.9
	8 SEC.	31'-2"	1122	902	22.4	9.50	31.8	20.3
	9 SEC.	34'-11"	1257	1010	25.1	10.64	35.8	22.8
	10 SEC.	38'-8"	1392	1119	27.8	11.79	39.4	25.2
	11 SEC.	42'-5"	1527	1227	30.5	12.93	43.2	27.1
	12 SEC.	46'-2"	1662	1336	33.2	14.07	47.0	30.1
<b>7' SQUARE BINS</b>	1 SEC.	4'-11"	240	193	4.8	1.50	6.8	4.4
	2 SEC.	8'-8"	424	341	8.5	2.64	12.0	7.7
	3 SEC.	12'-5"	608	489	12.2	3.78	17.2	11.1
	4 SEC.	16'-2"	792	637	15.8	4.93	22.4	14.3
	5 SEC.	19'-11"	976	785	19.5	6.07	27.6	17.7
	6 SEC.	23'-8"	1160	933	23.2	7.21	32.8	21.0
	7 SEC.	27'-5"	1344	1081	26.9	8.36	38.0	24.4
	8 SEC.	31'-2"	1528	1229	30.6	9.50	43.2	27.7
	9 SEC.	34'-11"	1712	1376	34.2	10.64	48.4	31.0
	10 SEC.	38'-8"	1896	1524	37.9	11.79	53.7	34.4
	11 SEC.	42'-5"	2080	1672	41.6	12.93	58.9	37.0
	12 SEC.	46'-2"	2264	1820	45.3	14.07	64.1	41.1
<b>8' SQUARE BINS</b>	1 SEC.	4'-11"	315	253	6.3	1.50	8.9	5.7
	2 SEC.	8'-8"	555	446	11.1	2.64	15.7	10.1
	3 SEC.	12'-5"	795	639	15.9	3.78	22.5	14.4
	4 SEC.	16'-2"	1035	832	20.7	4.93	29.3	18.8
	5 SEC.	19'-11"	1275	1025	25.5	6.07	36.1	23.1
	6 SEC.	23'-8"	1515	1218	30.3	7.21	42.7	27.5
	7 SEC.	27'-5"	1755	1411	35.1	8.36	49.7	31.8
	8 SEC.	31'-2"	1995	1604	39.9	9.50	56.5	36.2
	9 SEC.	34'-11"	2235	1797	44.7	10.64	63.3	40.5
	10 SEC.	38'-8"	2475	1990	49.5	11.79	70.0	44.9
	11 SEC.	42'-5"	2715	2183	54.3	12.93	76.8	49.3
	12 SEC.	46'-2"	2955	2376	59.1	14.07	83.6	53.6
	13 SEC.	49'-11"	3195	2569	63.9	15.21	90.4	58.0
	14 SEC.	53'-8"	2264	2762	68.7	16.36	97.2	62.3
<b>10' SQUARE BINS</b>	1 SEC.	4'-11"	492	396	9.8	1.50	13.9	8.9
	2 SEC.	8'-8"	867	697	17.3	2.64	24.5	15.7
	3 SEC.	12'-5"	1242	999	24.8	3.78	35.1	22.5
	4 SEC.	16'-2"	1617	1300	32.3	4.93	45.8	29.3
	5 SEC.	19'-11"	1992	1602	39.8	6.07	56.4	36.1
	6 SEC.	23'-8"	2367	1903	47.3	7.21	67.0	42.9
	7 SEC.	27'-5"	2742	2205	54.8	8.36	77.6	49.7
	8 SEC.	31'-2"	3117	2506	62.3	9.50	88.2	56.5
	9 SEC.	34'-11"	3492	2808	69.8	10.64	98.8	63.3
	10 SEC.	38'-8"	3867	3109	77.3	11.79	109.4	70.1
	11 SEC.	42'-5"	4242	3411	84.8	12.93	120.0	76.9
	12 SEC.	46'-2"	4617	3712	92.3	14.07	130.7	83.7
	13 SEC.	49'-11"	4992	4014	99.8	15.21	141.3	90.5
	14 SEC.	53'-8"	5367	4315	107.3	16.36	151.9	97.3



**Tom-Cin Metals Inc.**  
 1-800-343-3404 or 920-779-4277 • FAX 920-779-6980  
 P.O. Box 256 • 320 Industrial Park Ave.  
 Hortonville, WI 54944  
 E-mail [Dennis@tom-cinmetals.com](mailto:Dennis@tom-cinmetals.com)  
[www.tom-cinmetals.com](http://www.tom-cinmetals.com)