

# FISCHBEIN®

## Model 500 THPS™

Synchronous Tape Sewing System

## Fischbein Model 500 THPS™



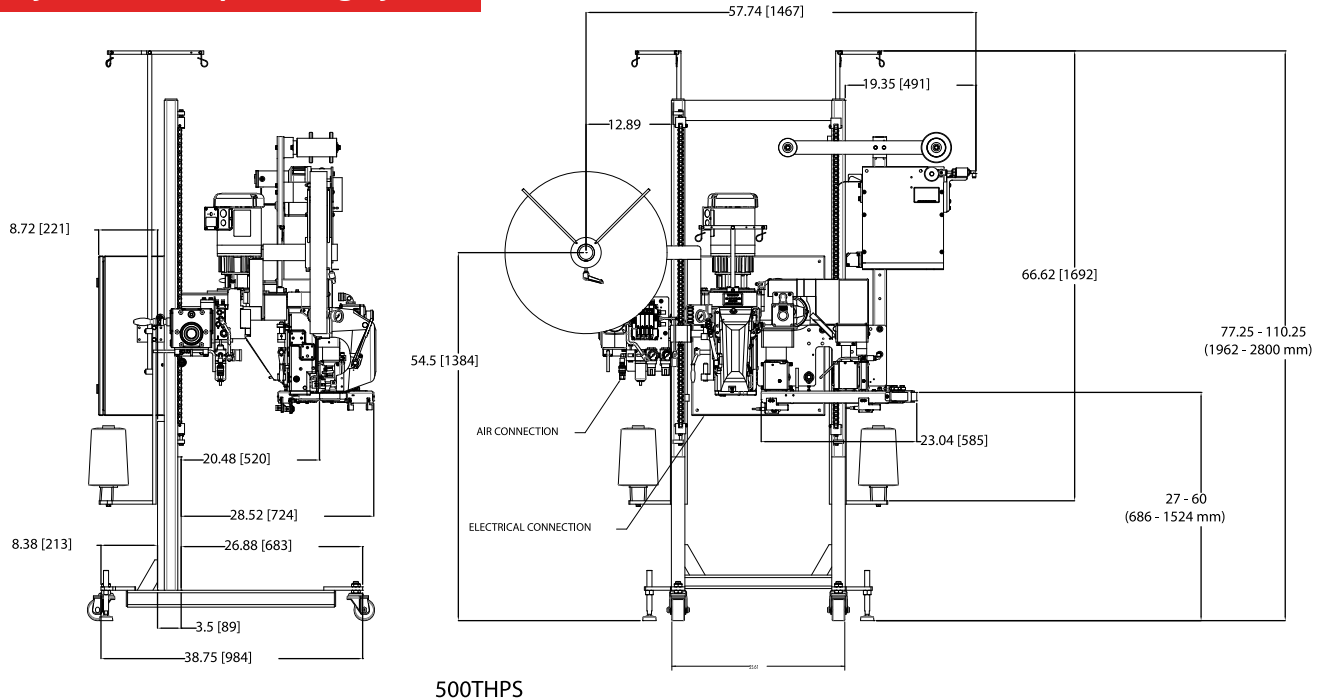
The Fischbein Model 500 THPS™ is a synchronous tape sewing system that closes multi-wall paper and laminated woven polypropylene open mouth bags at speeds up to 75 linear feet per minute. Automatic synchronization of the sewing head, in-feed system and bag conveyor creates the perfect sew tape closure. Synchronous, variable-speed drive technology allows the 500 THPS™ to instantly change sewing speeds with the push of a button.

**EVERYTHING** IN BAGGING EQUIPMENT™



# Fischbein® Model 500 THPS™

## Synchronous Tape Sewing System



500THPS

### FEATURES

#### BAG TYPES

Closes a variety of bags including flat and gusseted multi-wall paper, and woven polypropylene bags.

#### EMPRESS 201 SEWING HEAD

With its self-lubricating system, the Empress 201 delivers trouble-free smooth performance with low vibration. Operating speed is adjustable up to 75 linear feet per minute.

#### BAG TOP TRIMMER

Specifically designed with quick change, long life blades that ensure thousands of hours of trouble-free operation.

#### SPEED SETTINGS

Head and infeed speeds are synchronized via variable frequency drives. A timing belt between the sewing head and motor ensures consistent, drift-free control.

#### COMES STANDARD WITH:

Heavy duty clutch and 3HP motor, powered crepe tape feed system, quick change circular trimming knives, high performance tape clipper and tape, thread and oil sensor package.

### OPTIONS

- Tagger infeed
- Tape contact coder (P2375)
- Motor starter and contactor for conveyor
- 575 VAC

### SPECIFICATIONS

- Dimensions: L 58 in (147 cm), D 41 in (104 cm), H 78 in (198 cm)
- Speed: Up to 75 linear feet per minute
- Electric (NEMA 12): 230/380/460 VAC, 3 PH, 50/60 Hz
- Air: 15 cfm @ 90 PSI

### BAGS

- Bag Types: Multi-wall paper and laminated woven polypropylene open mouth bags
- Bag Thickness: Maximum 12 mils
- Free Bag Top: Minimum 6 in (15.2 cm)

### APPLICATIONS

- Fertilizers/Minerals
- Chemicals
- Cat Litter
- Pet Food
- Feed Additives
- Agricultural Seed
- Bakery Mixes
- Powdered Dairy Products

**704-871-1159**

**HAMER  
FISCHBEIN®**

A DURAVANT COMPANY

Specifications are subject to change without notice.

